

# HERCULES 150

## 15.0" Intel Celeron/Pentium III/IV Multimedia Interactive KIOSK

### OVERVIEW

The design of HERCULES Kiosk is a revolutionary concept because never before was such a versatile Kiosk unit made to fit the ever-changing requirements of today's e-business application.

Versatile and modular, **HERCULES** is a wireless customer-service terminal. With a genuine Pentium III or Pentium IV panel computer as its core engine, the HERCULES Kiosk delivers outstanding performance. It has a rugged and highly integrated design with various peripheral options such as touchscreen, card reader, scanner, pin pad, metal keyboard and printer all packaged in a single unit. Combinable in four parts and by integrating different portions together, the HERCULES can be easily transformed to a new device to fit into specific environmental requirements. Featuring with versatile mounting options, it is a flexible and robust device that can be mounted virtually anywhere and in any forms including tabletop, pedestal, pole and wall mounting, giving you the flexibility to place the kiosk in the best location.

The high performance coupled with its peripheral options and mounting flexibility makes the HERCULES Kiosk easily to be catered to the unique need of different business.

### FEATURES

- ◇ Compact & highly integrated design, able to be installed virtually anywhere in the business location
- ◇ Various peripheral options allow multiple business applications to be deployed in a single unit
- ◇ Versatile mounting options including table-top, pedestal, wall and pole mount offer freedom in installation
- ◇ Wireless LAN option offers the possibility to move the KIOSK to anywhere in the store for specific business need without changing the store decoration
- ◇ Open architecture and fully PC compatible offers the best solution platform for system development
- ◇ Rugged cabinet made of heavy-duty steel allows system operation in public sectors
- ◇ Modular design eases maintenance effort and able to add peripherals for specific application



MM&NN co.,ltd. บจก.เอ็มเอ็มเอ็นเอ็น  
678/8Suksawat29,Suksawat Rd.,Ratburana BKK10140  
Tel:02 871-2520,Fax:02 871-2522  
<http://www.mm-nn.com> e-mail:sales@mm-nn.com

## SPECIFICATIONS

	Pentium III	Pentium IV
<b>DISPLAY MODULE</b>	◇ 15.0" color TFT LCD display with resistive or SAW touchscreen	
<b>CHIPSET</b>	◇ Intel 815E	◇ Intel 845GV/ICH4
<b>CPU</b>	◇ Socket 370 Celeron®/ Pentium III; 66/100/133MHz up to 1G	◇ Socket 478 Celeron®/ Pentium IV; 400/533MHz up to 3.06G
<b>SYSTEM MEMORY</b>	◇ SDRAM up to 512MB	◇ DDR up to 2GB
<b>L2 CACHE</b>	◇ CPU built-in	
<b>SPEAKERS</b>	◇ Internal speakers*2	
<b>DRIVE BAY</b>	◇ Slim type CD-ROM or equivalent device*1 ◇ Slim type FDD*1 ◇ 3.5" HDD*1	
<b>FLASH DISK</b>	◇ M-systems DiskOnChip socket*1	
<b>ETHERNET</b>	◇ 100/10 Base-T PnP Ethernet with RJ-45 ◇ Support WAKE-ON-LAN	
<b>PANEL PC I/O</b>	◇ Serial Ports*4, COM 1,2 & 4 with +5V/12V power output on pin 9 RS-232*3, RS-232/422/485*1, COM 3 (reserved for touchscreen) ◇ Parallel Port*1: supports SPP/EPP/ECP ◇ External FDD Interface*1 ◇ +5V/+12V DC-out*1 ◇ PS/2 Keyboard/Mouse Interface*1 ◇ DIO: Input*2, output*2 ◇ USB Interface*2 ◇ VGA Interface*1 ◇ Brightness VR*1 ◇ SPK-out, MIC-in, Line in	
<b>FRONT BEZEL INDICATORS</b>	◇ LEDs for HDD, LAN, POWER ◇ IrDA sensor (optional)	
<b>EXPANSION</b>	◇ PCI*2 or ISA*1 + PCI*1	
<b>POWER SUPPLY</b>	◇ ATX 150W, input range: 100~127V/5A @60Hz, 200~240V/2.5A @50Hz	◇ ATX 180W, input range: 100~240VAC, 4.0A, 50/60Hz
<b>TOUCHSCREEN</b>	◇ 15" resistive or SAW type with RS-232 controller (optional)	
<b>DIMENSION</b> (W x H x D) mm	◇ HERCULES T 150: 406*496*277 (W*H*D) ◇ HERCULES M 150: 406*966*277 (W*H*D) ◇ HERCULES P 150: 406*1451*277 (W*H*D)	
<b>PERIPHERAL DEVICES</b> (optional)	◇ Magnetic card reader (Insert type) ◇ Smart card reader (Insert type) ◇ Thermal receipt printer ◇ Presentation scanner ◇ Wireless LAN module ◇ Motion sensor ◇ IrDA sensor ◇ Metal keyboard & mouse pad	
<b>KIOSK CABINET</b>	◇ Enclosure: heavy-duty steel combinable in 4 parts ◇ Kiosk cabinet customization available	

\*\* Specification subject to change without notice.



MM&NN co.,ltd. บจก.เอ็มเอ็มแอนด์เอ็นเอ็น  
678/8Suksawat29,Suksawat Rd.,Ratburana BKK10140  
Tel:02 871-2520,Fax:02 871-2522  
<http://www.mm-nn.com> e-mail:sales@mm-nn.com

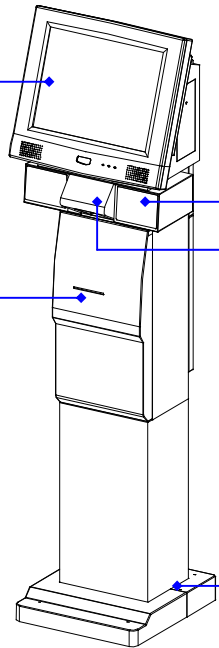


**Touchscreen**

The HERCULUS is designed to accommodate either resistive or Intelli SAW touch for different environmental need. This best human machine interface makes the HERCULUS a perfect interactive solution platform.

**Thermal Printer**

The last step of e-commerce is to have proof of transaction. The thermal printer in the KIOSK can be used to print out purchase receipt, ticket or promotion coupon which greatly enhances the HERCULUS commercial value.



**MSR/IC Card Reader**

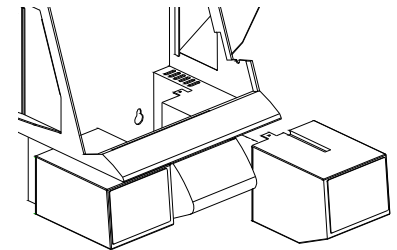
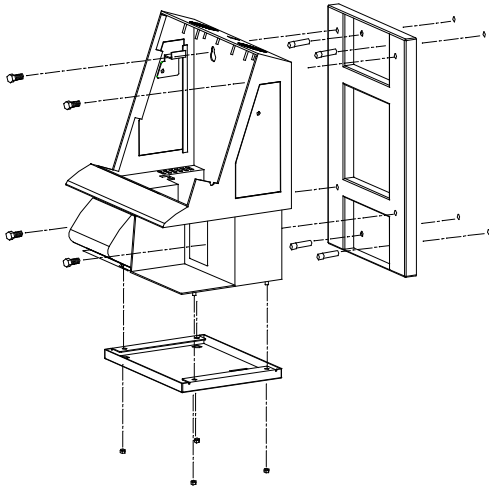
Transaction is an important element for e-commerce. The HERCULUS can be quipped with MSR & card reader for credit transaction.

**Scanner**

With an easy scan of the bar code, the scanner helps the customer quickly locates products, finds the price, checks the product availability and obtains relevant promotion information.

**Base Stabilizers**

The HERCULUS KIOSK tower is either to be fixed to the ground with screws or to be stabilizer on the floor with a set or base stabilizers.



Tool-free service door design for easy service

HERCULES T wall mount with wall mount bracket



MM&NN co.,ltd. บจก.เอ็มเอ็มแอนด์เอ็นเอ็น  
 678/8Suksawat29,Suksawat Rd.,Ratburana BKK10140  
 Tel:02 871-2520,Fax:02 871-2522  
<http://www.mm-nn.com> e-mail:sales@mm-nn.com